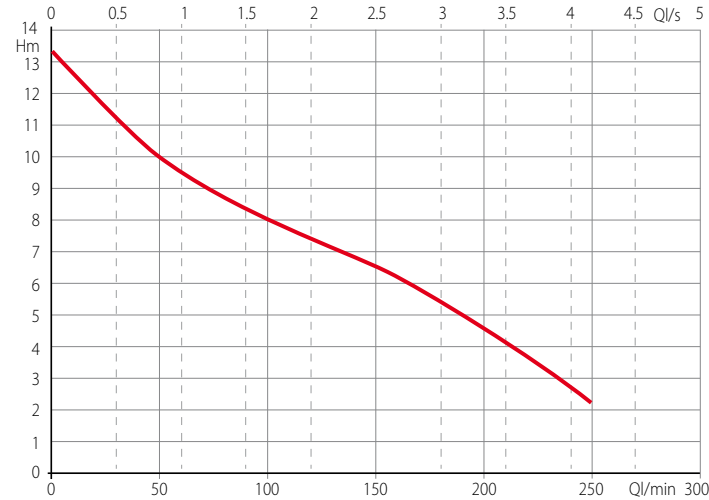
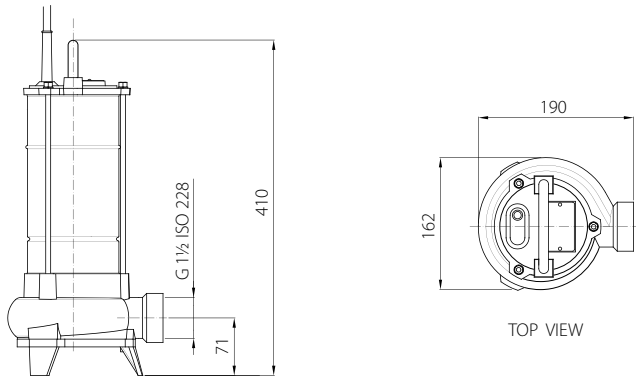


# PUMPING LIFTING STATIONS, COUPLING DEVICES AND BALL CHECK VALVES

## Cutter, sewage wastewater submersible pumps , impeller with grinder unit - *Liqua*™

The cutter unit, in a special hard stainless steel, cuts into small pieces threadlike materials contained in the liquids.

These pumps are suitable to lift the sewage of blocks of flats, villas and small isolated areas faraway from the sewer system; the sewage of hotels and campsites, in the paper and food industry, in the agriculture and where a gravity system installation is too expensive.



TYPE	HP	kW	DNm Ø	Q = Performance at 2900 rpm													
				m³/h	0	1,8	3	3,6	5,4	6	7,2	9	10,8	12	12,6	14,5	15
3-phase 400V 50Hz				l/m	0	30	50	60	90	100	120	150	180	200	210	240	250
<b>LT-1210T</b>	1,2	0,9	1" 1/2	Hm	13,3	11	10	9,6	8,3	8	7,4	6,5	5,5	4,6	4,2	2,7	2,2

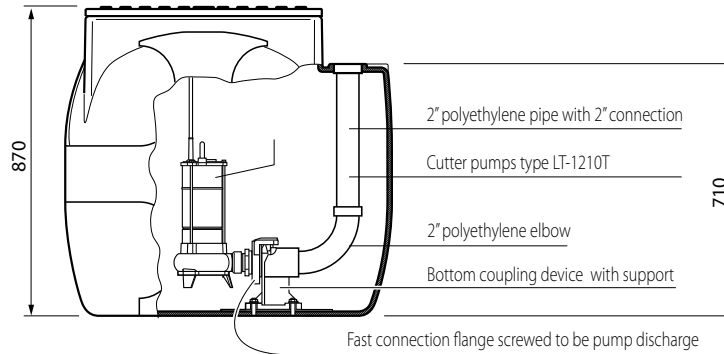
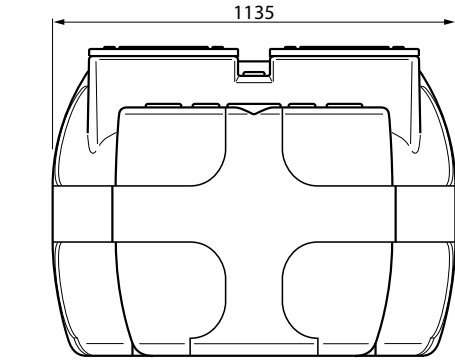
OPERATING CONDITIONS (LIMITS OF USE)	
Maximum depth of immersion	20 m
Maximum temperature of pumped liquid	+ 40 °C
pH of pumped liquid	6 - 10
Density of pumped liquid with y=water specific gravity	1 kg/dm³
Free passage Ø max	Not applicable

PUMP CONSTRUCTION MATERIALS	
Motor casing	Stainless steel AISI 304
Pump body	Cast iron
Pump bracket	Cast iron
Impeller	Cast iron
Grinder	Hardened stainless steel
Shaft	Stainless steel AISI 420
Mechanical seal	Silicon Carbide/Silicon Carbide (SiC/SiC)
Bolts and nuts	Stainless steel grade A2

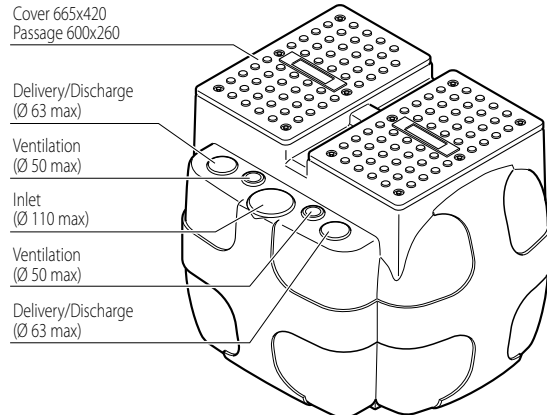
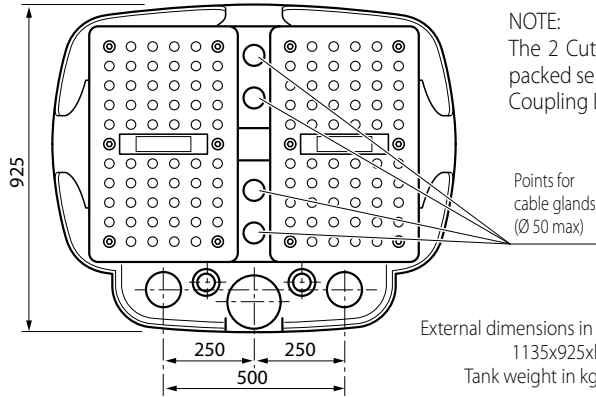
MOTOR	
<b>3 phase 400 V 50 Hz</b>	
Motor in oil bath	
Number of poles	2
Insulation class	F
Degree of protection IP	68
Maximum tolerance (fluctuation) from the nominal voltage	± 10 %
Starts per hour max	20
Acoustic pressure level issued	< 70 dB(A)
Additional information	Supplied as standard with 5m electric cable type H07RN-F 4G 1mm²

## PUMPING LIFTING STATIONS, COUPLING DEVICES AND BALL CHECK VALVES

### POLYETHYLENE TANK FOR VALCO SEWAGE LIFTING STATION (to house 2 pumps type LT1210) 650 Litres type 650BC



NOTE:  
The 2 Cutter Pumps with the fast connection Flange screwed to the pump discharge are packed separately from the Tank in order to avoid damage during transportation. The Bottom Coupling Device with Support and the 2" Pipe with elbow are supplied fitted into the Tank.



Coupling Devices - Foot Pedestals  
Sewage Submersible Pumps  
interchangeable to replace  
or brands



Ball check valves, no  
clogging for wastewater  
up to DN600 (24")

Protections and control panels  
(starters) supplied on request

**CBV**



60 Hz available all throughout the range: please apply.