

Sewage Wastewater Submersible Electric Pumps with Vortex Impellers, heavy duty, made in cast iron or stainless steel, non-clogging, suitable for dirty liquids containing large solids and/or fibrous materials.- Liqua™

Applications

Suitable for domestic, residential, industrial, agricultural and civil drainage and wastewater sewage uses: dewatering; sump drainage, effluent and sewage; ponds, construction, mines, reclamation, swimming pools, basements and flooded areas, stormwaters, irrigation, stock breeding, food beverage, for waste, sewage and washwater for single and several households and public buildings, for building sites also partially dry, for continuous and heavy duties for most types of fluids also with bodies in suspension in water treatment plants, brackish waters, dirty waters, sludge, industrial processes, etc.



I-36063 Marostica (Vicenza) Italy
www.valco.eu

**LV-VORTEX Range VALCO BRAND Sewage Wastewater Submersible
Electric Pumps Liqua™**

Pump and motor construction data
with limits of use and operating conditions

OPERATING CONDITIONS (LIMITS OF USE)

Maximum temperature of pumped liquid °C	0 +35
pH of pumped liquid	6 - 10
Density of pumped liquid with γ =water specific gravity kg/dm ³	1
Installation type	Submerged

MOTOR

Asynchronous Electric motor	
Insulation class	F
Degree of protection IP	68
Service	Continuous duty
Maximum tolerance (fluctuation) from the nominal voltage	±6%
Starts per hour max	30 up to 2,2 kW. 20 up to 4 kW, 10 from 5,5 kW and above.

3phase version the overload motor protection must be provided by the user (we recommend the use of a control box)

Optional on demand with overprice float switch.

1phase version

Type	OVERLOAD PROTECTION	CAPACITOR
LV400	INT	INT
LV80A	INT	INT
LV805	INT	INT
LV808	INT	INT
LV810	INT	INT
LV815	INT	INT
LV820	INT	INT
LV825	INT	INT
LV830	INT	INT
LV1015	INT	INT
LV1020	INT	INT
LV1025	INT	INT
LV1026	INT	EXT BOX
LV1030	INT	INT
LV1045	INT	INT
LV1050-4	INT	EXT BOX
LV1070-4	INT	EXT BOX
LV120A	INT	INT
LV1200	INT	EXT BOX
LV1203	INT	INT
LV1505	INT	EXT BOX
LV1508	INT	INT
LV1521	INT	EXT BOX
LV1525	INT	INT
LV1531	INT	EXT BOX
LV1540	INT	INT
LV1555	OPT BOX	OPT BOX
LV1565-4	INT	EXT BOX
LV1570-4	INT	EXT BOX
LV2010	INT	EXT BOX
LV2040-4	OPT BOX	OPT BOX
LV2050	OPT BOX	OPT BOX
LV2055-4	OPT BOX	OPT BOX
LV2070-4	OPT BOX	OPT BOX
LV2090-4	OPT BOX	OPT BOX

INT: Internal capacitor / overload protection

EXT BOX: External box

OPT BOX: optional on demand with overprice external box

I-36063 Marostica (Vicenza) Italy
www.valco.eu

**LV-VORTEX Range VALCO BRAND Sewage Wastewater Submersible
Electric Pumps Liqua™**

Pump and motor construction data
with limits of use and operating conditions

Materials 1

Types		Pump materials	Impeller material	Motor chamber	Mechanical seal code	Shaft material (pump side) stainless steel	Type of delivery HOR: horizontal VER: vertical
1 PH 230V 50Hz	3 PH 400V 50Hz						
LV400	-	Motor casing in stainless steel and pump in cast iron	Cast iron	In oil	PGA-MR	DIN/EN 1.4005 (AISI 416)	HOR
LV80A	-	Motor casing and pump in cast iron	Cast iron	Dry	PKK-MR-O	DIN/EN 1.4021 (AISI 420)	HOR
-	LV80AT	Motor casing and pump in cast iron	Cast iron	Dry	PKK-MR-O	DIN/EN 1.4021 (AISI 420)	HOR
LV805	-	Motor casing and pump in stainless steel	Stainless steel	In oil	PGA-MR-O	DIN/EN 1.4401 (AISI 316)	HOR
LV808	-	Motor casing and pump in cast iron	Cast iron	Dry	PKK-MR-O	DIN/EN 1.4021 (AISI 420)	HOR
-	LV808T	Motor casing and pump in cast iron	Cast iron	Dry	PKK-MR-O	DIN/EN 1.4021 (AISI 420)	HOR
LV810	-	Motor casing in stainless steel and pump in cast iron	Stainless steel	In oil	PKK-MR-O	DIN/EN 1.4016 (AISI 430)	VER
-	LV810T	Motor casing in stainless steel and pump in cast iron	Stainless steel	In oil	PKK-MR-O	DIN/EN 1.4016 (AISI 430)	VER
LV815	-	Motor casing in stainless steel and pump in cast iron	Stainless steel	In oil	PKK-MR-O	DIN/EN 1.4016 (AISI 430)	VER
-	LV815T	Motor casing in stainless steel and pump in cast iron	Stainless steel	In oil	PKK-MR-O	DIN/EN 1.4016 (AISI 430)	VER
LV820	-	Motor casing in stainless steel and pump in cast iron	Stainless steel	In oil	PGA-MR-O	DIN/EN 1.4401 (AISI 316)	HOR
LV825	-	Motor casing in stainless steel and pump in cast iron	Stainless steel	In oil	PGA-MR-O	DIN/EN 1.4401 (AISI 316)	VER
-	LV825T	Motor casing in stainless steel and pump in cast iron	Stainless steel	In oil	PGA-MR-O	DIN/EN 1.4401 (AISI 316)	VER
LV830	-	Motor casing in stainless steel and pump in cast iron	Stainless steel	In oil	PGA-MR-O	DIN/EN 1.4401 (AISI 316)	VER
LV1015	-	Motor casing and pump in stainless steel	Stainless steel	In oil	PGA-MR-O	DIN/EN 1.4401 (AISI 316)	HOR
-	LV1015T	Motor casing and pump in stainless steel	Stainless steel	In oil	PGA-MR-O	DIN/EN 1.4401 (AISI 316)	HOR
LV1020	-	Motor casing in stainless steel and pump in cast iron	Stainless steel	In oil	PKK-MR-O	DIN/EN 1.4016 (AISI 430)	VER
-	LV1020T	Motor casing in stainless steel and pump in cast iron	Stainless steel	In oil	PKK-MR-O	DIN/EN 1.4016 (AISI 430)	VER
LV1025	-	Motor casing in stainless steel and pump in cast iron	Stainless steel	In oil	PKK-MR-O	DIN/EN 1.4016 (AISI 430)	VER
-	LV1025T	Motor casing in stainless steel and pump in cast iron	Stainless steel	In oil	PKK-MR-O	DIN/EN 1.4016 (AISI 430)	VER
LV1026	-	Motor casing and pump in cast iron	Cast iron	Dry	PKK-MGA-O	DIN/EN 1.4021 (AISI 420)	HOR
-	LV1026T	Motor casing and pump in cast iron	Cast iron	Dry	PKK-MGA-O	DIN/EN 1.4021 (AISI 420)	HOR
LV1030	-	Motor casing in stainless steel and pump in cast iron	Stainless steel	In oil	PGA-MR-O	DIN/EN 1.4401 (AISI 316)	VER
-	LV1030T	Motor casing in stainless steel and pump in cast iron	Stainless steel	In oil	PGA-MR-O	DIN/EN 1.4401 (AISI 316)	VER
LV1045	-	Motor casing in stainless steel and pump in cast iron	Stainless steel	In oil	PGA-MR-O	DIN/EN 1.4401 (AISI 316)	HOR
LV1050-4	-	Motor casing and pump in cast iron	Cast iron	In oil	KK	DIN/EN 1.4005 (AISI 416)	HOR/VER
-	LV1050-4T	Motor casing and pump in cast iron	Cast iron	In oil	KK	DIN/EN 1.4005 (AISI 416)	HOR/VER
LV1070-4	-	Motor casing and pump in cast iron	Cast iron	In oil	KK	DIN/EN 1.4021 (AISI 420)	HOR
-	LV1070-4T	Motor casing and pump in cast iron	Cast iron	In oil	KK	DIN/EN 1.4021 (AISI 420)	HOR
LV120A	-	Motor casing and pump in cast iron	Cast iron	Dry	PKK-MR-O	DIN/EN 1.4021 (AISI 420)	HOR
-	LV120AT	Motor casing and pump in cast iron	Cast iron	Dry	PKK-MR-O	DIN/EN 1.4021 (AISI 420)	HOR
LV1200	-	Motor casing and pump in cast iron	Cast iron	In oil	KK	DIN/EN 1.4005 (AISI 416)	HOR/VER
-	LV1200T	Motor casing and pump in cast iron	Cast iron	In oil	KK	DIN/EN 1.4005 (AISI 416)	HOR/VER
LV1203	-	Motor casing and pump in cast iron	Cast iron	Dry	PKK-MR-O	DIN/EN 1.4021 (AISI 420)	HOR
-	LV1203T	Motor casing and pump in cast iron	Cast iron	Dry	PKK-MR-O	DIN/EN 1.4021 (AISI 420)	HOR
LV1505	-	Motor casing and pump in cast iron	Cast iron	In oil	KK	DIN/EN 1.4005 (AISI 416)	HOR/VER
-	LV1505T	Motor casing and pump in cast iron	Cast iron	In oil	KK	DIN/EN 1.4005 (AISI 416)	HOR/VER
LV1508	-	Motor casing and pump in cast iron	Cast iron	Dry	PKK-MR-O	DIN/EN 1.4021 (AISI 420)	HOR
-	LV1508T	Motor casing and pump in cast iron	Cast iron	Dry	PKK-MR-O	DIN/EN 1.4021 (AISI 420)	HOR
LV1521	-	Motor casing and pump in cast iron	Cast iron	Dry	PKK-MGA-O	DIN/EN 1.4021 (AISI 420)	HOR
-	LV1521T	Motor casing and pump in cast iron	Cast iron	Dry	PKK-MGA-O	DIN/EN 1.4021 (AISI 420)	HOR
LV1525	-	Motor casing and pump in stainless steel	Stainless steel	In oil	PGA-MR-O	DIN/EN 1.4401 (AISI 316)	HOR
-	LV1525T	Motor casing and pump in stainless steel	Stainless steel	In oil	PGA-MR-O	DIN/EN 1.4401 (AISI 316)	HOR
LV1531	-	Motor casing and pump in cast iron	Cast iron	Dry	PKK-MGA-O	DIN/EN 1.4021 (AISI 420)	HOR
-	LV1531T	Motor casing and pump in cast iron	Cast iron	Dry	PKK-MGA-O	DIN/EN 1.4021 (AISI 420)	HOR
LV1540	-	Motor casing in stainless steel and pump in cast iron	Stainless steel	In oil	PGA-MR-O	DIN/EN 1.4401 (AISI 316)	VER
-	LV1540T	Motor casing in stainless steel and pump in cast iron	Stainless steel	In oil	PGA-MR-O	DIN/EN 1.4401 (AISI 316)	VER
-	LV1541-4T	Motor casing and pump in cast iron	Cast iron	Dry	PKK-MGA-O	DIN/EN 1.4021 (AISI 420)	HOR
-	LV1551-4T	Motor casing and pump in cast iron	Cast iron	Dry	PKK-MGA-O	DIN/EN 1.4021 (AISI 420)	HOR
LV1555	-	Motor casing and pump in cast iron	Cast iron	In oil	PKK-MGA-O	DIN/EN 1.4301 (AISI 304)	HOR
-	LV1555T	Motor casing and pump in cast iron	Cast iron	In oil	PKK-MGA-O	DIN/EN 1.4301 (AISI 304)	HOR
LV1565-4	-	Motor casing and pump in cast iron	Cast iron	In oil	KK	DIN/EN 1.4021 (AISI 420)	HOR
-	LV1565-4T	Motor casing and pump in cast iron	Cast iron	In oil	KK	DIN/EN 1.4021 (AISI 420)	HOR
-	LV1566-4T	Motor casing and pump in cast iron	Cast iron	Dry	PKK-MGA-O	DIN/EN 1.4021 (AISI 420)	HOR
LV1570-4	-	Motor casing and pump in cast iron	Cast iron	In oil	KK	DIN/EN 1.4005 (AISI 416)	HOR/VER
-	LV1570-4T	Motor casing and pump in cast iron	Cast iron	In oil	KK	DIN/EN 1.4005 (AISI 416)	HOR/VER
LV2010	-	Motor casing and pump in cast iron	Cast iron	In oil	KK	DIN/EN 1.4005 (AISI 416)	HOR/VER
-	LV2010T	Motor casing and pump in cast iron	Cast iron	In oil	KK	DIN/EN 1.4005 (AISI 416)	HOR/VER
-	LV2015-4T	Motor casing and pump in cast iron	Cast iron	Dry	PKK-MGA-O	DIN/EN 1.4021 (AISI 420)	HOR
-	LV2020T	Motor casing and pump in stainless steel	Stainless steel	In oil	PGA-MR-O	DIN/EN 1.4401 (AISI 316)	HOR
-	LV2025T	Motor casing in stainless steel and pump in cast iron	Stainless steel	In oil	PGA-MR-O	DIN/EN 1.4401 (AISI 316)	VER
LV2040-4	-	Motor casing and pump in cast iron	Cast iron	Dry	PKK-MGA-O	DIN/EN 1.4021 (AISI 420)	HOR
-	LV2040-4T	Motor casing and pump in cast iron	Cast iron	Dry	PKK-MGA-O	DIN/EN 1.4021 (AISI 420)	HOR
-	LV2045-4T	Motor casing and pump in cast iron	Cast iron	In oil	KK	DIN/EN 1.4021 (AISI 420)	HOR
LV2050	-	Motor casing and pump in cast iron	Cast iron	In oil	PKK-MGA-O	DIN/EN 1.4301 (AISI 304)	HOR
-	LV2050T	Motor casing and pump in cast iron	Cast iron	In oil	PKK-MGA-O	DIN/EN 1.4301 (AISI 304)	HOR
-	LV2051-4T	Motor casing and pump in cast iron	Cast iron	Dry	PKK-MGA-O	DIN/EN 1.4021 (AISI 420)	HOR
LV2055-4	-	Motor casing and pump in cast iron	Cast iron	Dry	PKK-MGA-O	DIN/EN 1.4021 (AISI 420)	HOR
-	LV2055-4T	Motor casing and pump in cast iron	Cast iron	Dry	PKK-MGA-O	DIN/EN 1.4021 (AISI 420)	HOR
-	LV2065-4T	Motor casing and pump in cast iron	Cast iron	In oil	PKK-MGA-O	DIN/EN 1.4301 (AISI 304)	HOR
LV2070-4	-	Motor casing and pump in cast iron	Cast iron	Dry	PKK-MGA-O	DIN/EN 1.4021 (AISI 420)	HOR
-	LV2070-4T	Motor casing and pump in cast iron	Cast iron	Dry	PKK-MGA-O	DIN/EN 1.4021 (AISI 420)	HOR
-	LV2075-4T	Motor casing and pump in cast iron	Cast iron	In oil	PKK-MGA-O	DIN/EN 1.4021 (AISI 420)	HOR
-	LV2085-4T	Motor casing and pump in cast iron	Cast iron	In oil	PKK-MGA-O	DIN/EN 1.4021 (AISI 420)	HOR
LV2090-4	-	Motor casing and pump in cast iron	Cast iron	Dry	PKK-MGA-O	DIN/EN 1.4021 (AISI 420)	HOR
-	LV2090-4T	Motor casing and pump in cast iron	Cast iron	Dry	PKK-MGA-O	DIN/EN 1.4021 (AISI 420)	HOR
-	LV2501T	Motor casing and pump in cast iron	Cast iron	Dry	PKK-MGA-O	DIN/EN 1.4021 (AISI 420)	HOR
-	LV2506T	Motor casing and pump in cast iron	Cast iron	Dry	PKK-MGA-O	DIN/EN 1.4021 (AISI 420)	HOR
-	LV2510-4T	Motor casing and pump in cast iron	Cast iron	Dry	PKK-MGA-O	DIN/EN 1.4021 (AISI 420)	HOR
-	LV2530-4T	Motor casing and pump in cast iron	Cast iron	Dry	PKK-MGA-O	DIN/EN 1.4021 (AISI 420)	HOR
-	LV2545-4T	Motor casing and pump in cast iron	Cast iron	Dry	PKK-MGA-O	DIN/EN 1.4021 (AISI 420)	HOR
-	LV2556-4T	Motor casing and pump in cast iron	Cast iron	Dry	PKK-MGA-O	DIN/EN 1.4021 (AISI 420)	HOR
-	LV2558-4T	Motor casing and pump in cast iron	Cast iron	Dry	PKK-MGA-O	DIN/EN 1.4021 (AISI 420)	HOR
-	LV2575-4T	Motor casing and pump in cast iron	Cast iron	Dry	PKK-MGA-O	DIN/EN 1.4021 (AISI 420)	HOR
-	LV2578-4T	Motor casing and pump in cast iron	Cast iron	Dry	PKK-MGA-O	DIN/EN 1.4021 (AISI 420)	HOR
-	LV3012T	Motor casing and pump in cast iron	Cast iron	Dry	PKK-MGA-O	DIN/EN 1.4021 (AISI 420)	HOR
-	LV3015-4T	Motor casing and pump in cast iron	Cast iron	Dry	PKK-MGA-O	DIN/EN 1.4021 (AISI 420)	HOR
-	LV3020T	Motor casing and pump in cast iron	Cast iron	Dry	KK	DIN/EN 1.4021 (AISI 420)	HOR
-	LV3025-4T	Motor casing and pump in cast iron	Cast iron	Dry	PKK-MGA-O	DIN/EN 1.4021 (AISI 420)	HOR
-	LV3026T	Motor casing and pump in cast iron	Cast iron	Dry	PKK-MGA-O	DIN/EN 1.4021 (AISI 420)	HOR

Mechanical seal code:

P: Pump side M: Motor Side
A: Ceramic G: Carbon graphite
K: Silicon carbide R: Seal Ring
O: In oil chamber

HOR/VER: Flanged D.50 not DIN/EN in line + 2" bend

I-36063 Marostica (Vicenza) Italy
www.valco.eu

**LV-VORTEX Range VALCO BRAND Sewage Wastewater Submersible
Electric Pumps Liqua™**

Pump and motor construction data
with limits of use and operating conditions

Materials 2

Types		Pump materials	Impeller material	Motor chamber	Mechanical seal code	Shaft material (pump side) stainless steel	Type of delivery HOR: horizontal VER: vertical
1 PH 230V 50Hz	3 PH 400V 50Hz						
-	LV3035-4T	Motor casing and pump in cast iron	Cast iron	Dry	PKK-MGA-O	DIN/EN 1.4021 (AISI 420)	HOR
-	LV3040T	Motor casing and pump in cast iron	Cast iron	In oil	PKK-MGA-O	DIN/EN 1.4301 (AISI 304)	HOR
-	LV3041-4T	Motor casing and pump in cast iron	Cast iron	Dry	PKK-MGA-O	DIN/EN 1.4021 (AISI 420)	HOR
-	LV3065-4T	Motor casing and pump in cast iron	Cast iron	Dry	PKK-MGA-O	DIN/EN 1.4021 (AISI 420)	HOR
-	LV3068-4T	Motor casing and pump in cast iron	Cast iron	Dry	PKK-MGA-O	DIN/EN 1.4021 (AISI 420)	HOR
-	LV3073-4T	Motor casing and pump in cast iron	Cast iron	Dry	PKK-MGA-O	DIN/EN 1.4021 (AISI 420)	HOR
-	LV3078-4T	Motor casing and pump in cast iron	Cast iron	Dry	PKK-MGA-O	DIN/EN 1.4021 (AISI 420)	HOR
-	LV3080-4T	Motor casing and pump in cast iron	Cast iron	In oil	PKK-MGA-O	DIN/EN 1.4301 (AISI 304)	HOR
-	LV3098-4T	Motor casing and pump in cast iron	Cast iron	Dry	PKK-MGA-O	DIN/EN 1.4021 (AISI 420)	HOR
-	LV30100-4T	Motor casing and pump in cast iron	Cast iron	In oil	PKK-MGA-O	DIN/EN 1.4021 (AISI 420)	HOR
-	LV3300T	Motor casing and pump in cast iron	Cast iron	Dry	PKK-MGA-O	DIN/EN 1.4021 (AISI 420)	HOR
-	LV3305T	Motor casing and pump in cast iron	Cast iron	Dry	PKK-MGA-O	DIN/EN 1.4021 (AISI 420)	HOR
-	LV3310T	Motor casing and pump in cast iron	Cast iron	Dry	PKK-MGA-O	DIN/EN 1.4021 (AISI 420)	HOR
-	LV4010T	Motor casing and pump in cast iron	Cast iron	In oil	PKK-MGA-O	DIN/EN 1.4301 (AISI 304)	HOR
-	LV4016T	Motor casing and pump in cast iron	Cast iron	Dry	PKK-MGA-O	DIN/EN 1.4021 (AISI 420)	HOR
-	LV4018T	Motor casing and pump in cast iron	Cast iron	Dry	PKK-MGA-O	DIN/EN 1.4021 (AISI 420)	HOR
-	LV4021T	Motor casing and pump in cast iron	Cast iron	Dry	PKK-MGA-O	DIN/EN 1.4021 (AISI 420)	HOR
-	LV4045-4T	Motor casing and pump in cast iron	Cast iron	Dry	PKK-MGA-O	DIN/EN 1.4021 (AISI 420)	HOR
-	LV4055-4T	Motor casing and pump in cast iron	Cast iron	Dry	PKK-MGA-O	DIN/EN 1.4021 (AISI 420)	HOR
-	LV4058-4T	Motor casing and pump in cast iron	Cast iron	Dry	PKK-MGA-O	DIN/EN 1.4021 (AISI 420)	HOR
-	LV4070-4T	Motor casing and pump in cast iron	Cast iron	In oil	PKK-MGA-O	DIN/EN 1.4301 (AISI 304)	HOR
-	LV4073-4T	Motor casing and pump in cast iron	Cast iron	Dry	PKK-MGA-O	DIN/EN 1.4021 (AISI 420)	HOR
-	LV4085-4T	Motor casing and pump in cast iron	Cast iron	In oil	PKK-MGA-O	DIN/EN 1.4301 (AISI 304)	HOR
-	LV40105-4T	Motor casing and pump in cast iron	Cast iron	In oil	PKK-MGA-O	DIN/EN 1.4021 (AISI 420)	HOR
-	LV40108-4T	Motor casing and pump in cast iron	Cast iron	Dry	PKK-MGA-O	DIN/EN 1.4021 (AISI 420)	HOR
-	LV40113-4T	Motor casing and pump in cast iron	Cast iron	Dry	PKK-MGA-O	DIN/EN 1.4021 (AISI 420)	HOR
-	LV5501T	Motor casing and pump in cast iron	Cast iron	Dry	PKK-MGA-O	DIN/EN 1.4021 (AISI 420)	HOR
-	LV5505T	Motor casing and pump in cast iron	Cast iron	In oil	PKK-MGA-O	DIN/EN 1.4301 (AISI 304)	HOR
-	LV5506T	Motor casing and pump in cast iron	Cast iron	Dry	PKK-MGA-O	DIN/EN 1.4021 (AISI 420)	HOR
-	LV5508T	Motor casing and pump in cast iron	Cast iron	Dry	PKK-MGA-O	DIN/EN 1.4021 (AISI 420)	HOR
-	LV5513T	Motor casing and pump in cast iron	Cast iron	Dry	PKK-MGA-O	DIN/EN 1.4021 (AISI 420)	HOR
-	LV5514T	Motor casing and pump in cast iron	Cast iron	Dry	PKK-MGA-O	DIN/EN 1.4021 (AISI 420)	HOR
-	LV5525-4T	Motor casing and pump in cast iron	Cast iron	Dry	PKK-MGA-O	DIN/EN 1.4021 (AISI 420)	HOR
-	LV5533-4T	Motor casing and pump in cast iron	Cast iron	Dry	PKK-MGA-O	DIN/EN 1.4021 (AISI 420)	HOR
-	LV5538-4T	Motor casing and pump in cast iron	Cast iron	Dry	PKK-MGA-O	DIN/EN 1.4021 (AISI 420)	HOR
-	LV5540-4T	Motor casing and pump in cast iron	Cast iron	Dry	PKK-MGA-O	DIN/EN 1.4021 (AISI 420)	HOR
-	LV5555-4T	Motor casing and pump in cast iron	Cast iron	In oil	PKK-MGA-O	DIN/EN 1.4301 (AISI 304)	HOR
-	LV5563-4T	Motor casing and pump in cast iron	Cast iron	Dry	PKK-MGA-O	DIN/EN 1.4021 (AISI 420)	HOR
-	LV7002-4T	Motor casing and pump in cast iron	Cast iron	Dry	PKK-MGA-O	DIN/EN 1.4021 (AISI 420)	HOR
-	LV7003-4T	Motor casing and pump in cast iron	Cast iron	Dry	PKK-MGA-O	DIN/EN 1.4021 (AISI 420)	HOR
-	LV7008-4T	Motor casing and pump in cast iron	Cast iron	Dry	PKK-MGA-O	DIN/EN 1.4021 (AISI 420)	HOR
-	LV750AT	Motor casing and pump in cast iron	Cast iron	Dry	PKK-MGA-O	DIN/EN 1.4021 (AISI 420)	HOR
-	LV7510T	Motor casing and pump in cast iron	Cast iron	In oil	PKK-MGA-O	DIN/EN 1.4301 (AISI 304)	HOR
-	LV7515-4T	Motor casing and pump in cast iron	Cast iron	Dry	PKK-MGA-O	DIN/EN 1.4021 (AISI 420)	HOR
-	LV7535-4T	Motor casing and pump in cast iron	Cast iron	In oil	PKK-MGA-O	DIN/EN 1.4301 (AISI 304)	HOR
-	LV7545-4T	Motor casing and pump in cast iron	Cast iron	Dry	PKK-MGA-O	DIN/EN 1.4021 (AISI 420)	HOR
-	LV7548-4T	Motor casing and pump in cast iron	Cast iron	Dry	PKK-MGA-O	DIN/EN 1.4021 (AISI 420)	HOR
-	LV8005-4T	Motor casing and pump in cast iron	Cast iron	Dry	PKK-MGA-O	DIN/EN 1.4021 (AISI 420)	HOR
-	LV8013-4T	Motor casing and pump in cast iron	Cast iron	Dry	PKK-MGA-O	DIN/EN 1.4021 (AISI 420)	HOR
-	LV9003T	Motor casing and pump in cast iron	Cast iron	Dry	PKK-MGA-O	DIN/EN 1.4021 (AISI 420)	HOR
-	LV9008T	Motor casing and pump in cast iron	Cast iron	Dry	PKK-MGA-O	DIN/EN 1.4021 (AISI 420)	HOR
-	LV9013T	Motor casing and pump in cast iron	Cast iron	Dry	PKK-MGA-O	DIN/EN 1.4021 (AISI 420)	HOR
-	LV9018T	Motor casing and pump in cast iron	Cast iron	Dry	PKK-MGA-O	DIN/EN 1.4021 (AISI 420)	HOR
-	LV9030-4T	Motor casing and pump in cast iron	Cast iron	Dry	PKK-MGA-O	DIN/EN 1.4021 (AISI 420)	HOR
-	LV10A0AT	Motor casing and pump in cast iron	Cast iron	Dry	PKK-MGA-O	DIN/EN 1.4021 (AISI 420)	HOR
-	LV10A05T	Motor casing and pump in cast iron	Cast iron	In oil	PKK-MGA-O	DIN/EN 1.4301 (AISI 304)	HOR
-	LV10A18-4T	Motor casing and pump in cast iron	Cast iron	Dry	PKK-MGA-O	DIN/EN 1.4021 (AISI 420)	HOR
-	LV10A30-4T	Motor casing and pump in cast iron	Cast iron	Dry	PKK-MGA-O	DIN/EN 1.4021 (AISI 420)	HOR
-	LV10A33-4T	Motor casing and pump in cast iron	Cast iron	Dry	PKK-MGA-O	DIN/EN 1.4021 (AISI 420)	HOR
-	LV10A35-4T	Motor casing and pump in cast iron	Cast iron	Dry	PKK-MGA-O	DIN/EN 1.4021 (AISI 420)	HOR
-	LV12B08-4T	Motor casing and pump in cast iron	Cast iron	Dry	PKK-MGA-O	DIN/EN 1.4021 (AISI 420)	HOR
-	LV12B09-4T	Motor casing and pump in cast iron	Cast iron	Dry	PKK-MGA-O	DIN/EN 1.4021 (AISI 420)	HOR
-	LV12B18-4T	Motor casing and pump in cast iron	Cast iron	Dry	PKK-MGA-O	DIN/EN 1.4021 (AISI 420)	HOR
-	LV12B20-4T	Motor casing and pump in cast iron	Cast iron	Dry	PKK-MGA-O	DIN/EN 1.4021 (AISI 420)	HOR
-	LV13A00T	Motor casing and pump in cast iron	Cast iron	Dry	PKK-MGA-O	DIN/EN 1.4021 (AISI 420)	HOR
-	LV13A05T	Motor casing and pump in cast iron	Cast iron	Dry	PKK-MGA-O	DIN/EN 1.4021 (AISI 420)	HOR
-	LV13A10T	Motor casing and pump in cast iron	Cast iron	Dry	PKK-MGA-O	DIN/EN 1.4021 (AISI 420)	HOR
-	LV15A03-4T	Motor casing and pump in cast iron	Cast iron	Dry	PKK-MGA-O	DIN/EN 1.4021 (AISI 420)	HOR
-	LV15A04-4T	Motor casing and pump in cast iron	Cast iron	Dry	PKK-MGA-O	DIN/EN 1.4021 (AISI 420)	HOR
-	LV15A08-4T	Motor casing and pump in cast iron	Cast iron	Dry	PKK-MGA-O	DIN/EN 1.4021 (AISI 420)	HOR
-	LV15A23-4T	Motor casing and pump in cast iron	Cast iron	Dry	PKK-MGA-O	DIN/EN 1.4021 (AISI 420)	HOR
-	LV18A00T	Motor casing and pump in cast iron	Cast iron	Dry	PKK-MGA-O	DIN/EN 1.4021 (AISI 420)	HOR
-	LV18A05T	Motor casing and pump in cast iron	Cast iron	Dry	PKK-MGA-O	DIN/EN 1.4021 (AISI 420)	HOR
-	LV18A15T	Motor casing and pump in cast iron	Cast iron	Dry	PKK-MGA-O	DIN/EN 1.4021 (AISI 420)	HOR
-	LV18A23-4T	Motor casing and pump in cast iron	Cast iron	Dry	PKK-MGA-O	DIN/EN 1.4021 (AISI 420)	HOR
-	LV18A28-4T	Motor casing and pump in cast iron	Cast iron	Dry	PKK-MGA-O	DIN/EN 1.4021 (AISI 420)	HOR
-	LV18A38-4T	Motor casing and pump in cast iron	Cast iron	Dry	PKK-MGA-O	DIN/EN 1.4021 (AISI 420)	HOR
-	LV20A08-4T	Motor casing and pump in cast iron	Cast iron	Dry	PKK-MGA-O	DIN/EN 1.4021 (AISI 420)	HOR
-	LV20A13-4T	Motor casing and pump in cast iron	Cast iron	Dry	PKK-MGA-O	DIN/EN 1.4021 (AISI 420)	HOR
-	LV20A18-4T	Motor casing and pump in cast iron	Cast iron	Dry	PKK-MGA-O	DIN/EN 1.4021 (AISI 420)	HOR
-	LV25A00T	Motor casing and pump in cast iron	Cast iron	Dry	PKK-MGA-O	DIN/EN 1.4021 (AISI 420)	HOR
-	LV25A15-4T	Motor casing and pump in cast iron	Cast iron	Dry	PKK-MGA-O	DIN/EN 1.4021 (AISI 420)	HOR
-	LV25A23-4T	Motor casing and pump in cast iron	Cast iron	Dry	PKK-MGA-O	DIN/EN 1.4021 (AISI 420)	HOR
-	LV30A00T	Motor casing and pump in cast iron	Cast iron	Dry	PKK-MGA-O	DIN/EN 1.4021 (AISI 420)	HOR
-	LV30A05-4T	Motor casing and pump in cast iron	Cast iron	Dry	PKK-MGA-O	DIN/EN 1.4021 (AISI 420)	HOR
-	LV40A00T	Motor casing and pump in cast iron	Cast iron	Dry	PKK-MGA-O	DIN/EN 1.4021 (AISI 420)	HOR
-	LV40A05-4T	Motor casing and pump in cast iron	Cast iron	Dry	PKK-MGA-O	DIN/EN 1.4021 (AISI 420)	HOR
-	LV40A10-4T	Motor casing and pump in cast iron	Cast iron	Dry	PKK-MGA-O	DIN/EN 1.4021 (AISI 420)	HOR
-	LV50A10-4T	Motor casing and pump in cast iron	Cast iron	Dry	PKK-MGA-O	DIN/EN 1.4021 (AISI 420)	HOR

Mechanical seal code:
P: Pump side M: Motor Side
A: Ceramic G: Carbon graphite
K: Silicon carbide R: Seal Ring
O: In oil chamber

I-36063 Marostica (Vicenza) Italy
www.valco.eu

**LV-VORTEX Range VALCO BRAND Sewage Wastewater Submersible
Electric Pumps Liqua™**

Pump and motor construction data
with limits of use and operating conditions

Dimensions 1

Types		DNm	Poles	Ø max solids in susp. Free passage (mm)	max immersion depth (m)	Cable length (m) H07RN-F	Weight in Kg	Electric pump dimensions in mm LxWxH
1 PH 230V 50Hz	3 PH 400V 50Hz							
LV400	-	1"1/4	2	30	20	10	11	185x150x356
LV80A	-	1"1/2	2	40	20	10	23	203x165x451
-	LV80AT	1"1/2	2	40	20	10	22,5	203x165x451
LV805	-	1"1/2	2	40	5	10	10,5	214x180x358
LV808	-	2"	2	50	20	10	24	239x190x489
-	LV808T	2"	2	50	20	10	24	239x190x489
LV810	-	1"1/2	2	35	5	10	12	230x230x410
-	LV810T	1"1/2	2	35	5	10	12	230x230x410
LV815	-	2"	2	35	5	10	12	230x230x410
-	LV815T	2"	2	35	5	10	12	230x230x410
LV820	-	50	2	35	5	10	14	274x164x367
LV825	-	1"1/2	2	35	5	10	12	232x125x372,5
-	LV825T	1"1/2	2	35	5	10	12	232x125x372,5
LV830	-	1"1/2	2	30	5	10	12	232x125x360,5
LV1015	-	2"	2	50	5	10	11,5	214x180x358
-	LV1015T	2"	2	50	5	10	11,5	214x180x358
LV1020	-	1"1/2	2	35	5	10	13,5	230x230x410
-	LV1020T	1"1/2	2	35	5	10	13,5	230x230x410
LV1025	-	2"	2	35	5	10	13,5	230x230x410
-	LV1025T	2"	2	35	5	10	13,5	230x230x410
LV1026	-	50	2	48	20	10	33,7	279x226x467
-	LV1026T	50	2	48	20	10	33,7	279x226x467
LV1030	-	2"	2	50	5	10	13	232x125x385,5
-	LV1030T	2"	2	50	5	10	13	232x125x385,5
LV1045	-	50	2	50	5	10	16	274x164x367
LV1050-4	-	2"	4	40	20	10	29	344x213x463
-	LV1050-4T	2"	4	40	20	10	29	344x213x463
LV1070-4	-	65	4	60	20	10	38	349x290x552
-	LV1070-4T	65	4	60	20	10	38	349x290x552
LV120A	-	1"1/2	2	40	20	10	24	203x165x451
-	LV120AT	1"1/2	2	40	20	10	24	203x165x451
LV1200	-	2"	2	40	20	10	29	344x213x463
-	LV1200T	2"	2	40	20	10	29	344x213x463
LV1203	-	2"	2	50	20	10	25	239x190x489
-	LV1203T	2"	2	50	20	10	25	239x190x489
LV1505	-	2"	2	40	20	10	29	344x213x463
-	LV1505T	2"	2	40	20	10	29	344x213x463
LV1508	-	2"	2	50	20	10	25,5	239x190x489
-	LV1508T	2"	2	50	20	10	25,5	239x190x489
LV1521	-	65	2	65	20	10	55	344x260x565
-	LV1521T	65	2	65	20	10	55	344x260x565
LV1525	-	2"	2	50	5	10	13,5	214x180x358
-	LV1525T	2"	2	50	5	10	13,5	214x180x358
LV1531	-	50	2	48	20	10	35	279x226x467
-	LV1531T	50	2	48	20	10	35	279x226x467
LV1540	-	2"	2	50	5	10	15	232x125x395,5
-	LV1540T	2"	2	50	5	10	15	232x125x395,5
LV1541-4T	-	65	4	65	20	10	58	344x260x565
-	LV1551-4T	80	4	80	20	10	70	401x321x649
LV1555	-	65	2	50	20	10	40	308x200x551
-	LV1555T	65	2	50	20	10	39	308x200x551
LV1565-4	-	65	4	60	20	10	39	349x290x552
-	LV1565-4T	65	4	60	20	10	39	349x290x552
LV1566-4T	-	50	4	48	20	10	37,7	279x226x467
LV1570-4	-	2"	4	50	20	10	33	360x235x490
-	LV1570-4T	2"	4	50	20	10	33	360x235x490
LV2010	-	2"	2	50	20	10	35	360x235x490
-	LV2010T	2"	2	50	20	10	35	360x235x490
LV2015-4T	-	50	4	50	20	10	50	356x287x508
-	LV2020T	2"	2	50	5	10	13,5	214x180x398
LV2025T	-	2"	2	50	5	10	15	232x125x395,5
LV2040-4	-	50	4	50	20	10	40	280x240x505
-	LV2040-4T	50	4	50	20	10	40	280x240x505
LV2045-4T	-	65	4	60	20	10	40	349x290x552
LV2050	-	65	2	50	20	10	42,5	308x200x551
-	LV2050T	65	2	50	20	10	40	308x200x551
LV2055-4	-	80	4	80	20	10	74	401x321x649
-	LV2055-4T	65	4	60	20	10	45	335x270x530
LV2065-4T	-	100	4	50	20	10	70,5	395x317x660
LV2070-4	-	65	4	60	20	10	45	335x270x530
-	LV2070-4T	65	4	60	20	10	45	335x270x530
LV2075-4T	-	80	4	80	20	10	62	394x310x650
LV2085-4T	-	100	4	90	20	10	64	394x310x650
LV2090-4	-	50	4	50	20	10	40	280x240x505
-	LV2090-4T	80	4	80	20	10	45	320x270x550
LV2501T	-	50	2	48	20	10	35,7	279x226x467
LV2506T	-	65	2	65	20	10	57	344x260x565
LV2510-4T	-	50	4	50	20	10	50	356x287x508
LV2530-4T	-	65	4	60	20	10	45	335x270x530
LV2545-4T	-	65	4	60	20	10	50	365x300x580
LV2556-4T	-	65	4	65	20	10	62	344x260x565
LV2558-4T	-	80	4	75	20	10	56	365x300x580
LV2575-4T	-	80	4	80	20	10	45	320x270x550
LV2578-4T	-	100	4	90	20	10	66	380x322x600
LV3012T	-	65	2	65	20	10	58	344x260x565
LV3015-4T	-	50	4	50	20	10	50	356x287x508
LV3020T	-	65	2	65	20	10	48	349x290x574
LV3025-4T	-	50	4	50	20	10	50	356x287x508
LV3026T	-	80	2	80	20	10	71	401x321x649

I-36063 Marostica (Vicenza) Italy
www.valco.eu

**LV-VORTEX Range VALCO BRAND Sewage Wastewater Submersible
Electric Pumps Liqua™**

Pump and motor construction data
with limits of use and operating conditions

Dimension 2

Types		DNm	Poles	Ø max solids in susp. Free passage (mm)	max immersion depth (m)	Cable length (m) H07RN-F	Weight in Kg	Electric pump dimensions in mm LxWxH
1 PH 230V 50Hz	3 PH 400V 50Hz							
-	LV3035-4T	65	4	60	20	10	50	365x300x550
-	LV3040T	65	2	50	20	10	42,5	308x200x551
-	LV3041-4T	80	4	80	20	10	76	401x321x649
-	LV3065-4T	65	4	60	20	10	65	377x325x560
-	LV3068-4T	80	4	70	20	10	65	400x370x621
-	LV3073-4T	80	4	75	20	10	56	365x300x580
-	LV3078-4T	80	4	80	20	10	85	412x306x758
-	LV3080-4T	100	4	50	20	10	72,6	395x317x660
-	LV3098-4T	100	4	90	20	10	66	380x322x600
-	LV3100-4T	100	4	90	20	10	65	394x310x650
-	LV3300T	50	2	45	20	10	40	280x240x505
-	LV3305T	65	2	50	20	10	45	335x270x530
-	LV3310T	80	2	70	20	10	45	320x270x550
-	LV4010T	80	2	45	20	10	69,2	370x220x645
-	LV4016T	65	2	65	20	10	62	344x260x565
-	LV4018T	65	2	50	20	10	53	365x300x550
-	LV4021T	80	2	80	20	10	71	401x321x649
-	LV4045-4T	65	4	60	20	10	54	365x300x550
-	LV4055-4T	65	4	60	20	10	69	377x325x560
-	LV4058-4T	80	4	80	20	10	89	412x306x758
-	LV4070-4T	100	4	50	20	10	76	395x317x660
-	LV4073-4T	80	4	75	20	10	56	365x300x580
-	LV4085-4T	80	4	80	20	10	66	394x310x650
-	LV40105-4T	100	4	90	20	10	68	394x310x650
-	LV40108-4T	100	4	90	20	10	70	380x322x600
-	LV40113-4T	100	4	85	20	10	78	425x370x632
-	LV5501T	65	2	55	20	10	80	346x263x668
-	LV5505T	80	2	45	20	10	72,5	370x220x645
-	LV5506T	80	2	80	20	10	103	401x321x749
-	LV5508T	65	2	50	20	10	56	365x300x550
-	LV5513T	80	2	75	20	10	60	365x300x580
-	LV5514T	80	2	75	20	10	60	365x300x580
-	LV5525-4T	65	4	60	20	10	77	377x325x587
-	LV5533-4T	80	4	70	20	10	77	400x370x648
-	LV5538-4T	80	4	70	20	10	77	400x370x648
-	LV5540-4T	65	4	60	20	10	77	377x325x587
-	LV5555-4T	100	4	50	20	10	104	456x371x715
-	LV5563-4T	100	4	85	20	10	86	425x370x659
-	LV7002-4T	80	4	80	20	10	100	412x306x758
-	LV7003-4T	80	4	70	20	10	95	400x370x716
-	LV7008-4T	80	4	70	20	10	95	400x370x716
-	LV750AT	80	2	80	20	10	108	401x321x749
-	LV7510T	80	2	50	20	10	91,5	412x235x725
-	LV7515-4T	65	4	60	20	10	90	377x325x585
-	LV7535-4T	100	4	50	20	10	109	456x371x715
-	LV7545-4T	100	4	100	20	10	118	470x350x1025
-	LV7548-4T	100	4	85	20	10	102	425x370x727
-	LV8005-4T	100	4	85	20	10	120	480x408x719
-	LV8013-4T	150	4	120	20	10	135	565x550x803
-	LV9003T	50	2	40	20	10	85	377x325x645
-	LV9008T	50	2	40	20	10	85	377x325x645
-	LV9013T	65	2	45	20	10	90	377x325x587
-	LV9018T	80	2	75	20	10	98	400x370x716
-	LV9030-4T	100	4	100	20	10	125	470x350x1025
-	LV10A0AT	80	2	80	20	10	110	401x321x749
-	LV10A05T	80	2	50	20	10	93,2	412x235x725
-	LV10A18-4T	80	4	70	20	10	157	480x410x745
-	LV10A30-4T	100	4	100	20	10	136	470x350x1025
-	LV10A33-4T	100	4	85	20	10	151	425x370x763
-	LV10A35-4T	150	4	130	20	10	184	565x550x865
-	LV12B08-4T	80	4	70	20	10	163	480x410x745
-	LV12B09-4T	80	4	70	20	10	163	480x410x745
-	LV12B18-4T	100	4	85	20	10	156	425x370x763
-	LV12B20-4T	150	4	130	20	10	191	565x550x865
-	LV13A00T	50	2	35	20	10	140	399x325x707
-	LV13A05T	65	2	45	20	10	145	399x325x745
-	LV13A10T	80	2	65	20	10	140	400x370x752
-	LV15A03-4T	80	4	70	20	10	168	480x410x745
-	LV15A04-4T	100	4	85	20	10	175	479x408x755
-	LV15A08-4T	100	4	85	20	10	175	479x408x755
-	LV15A23-4T	150	4	120	20	10	196	565x550x865
-	LV18A00T	50	2	35	20	10	140	399x325x707
-	LV18A05T	65	2	45	20	10	145	399x325x745
-	LV18A15T	80	2	65	20	10	140	400x370x752
-	LV18A23-4T	80	4	70	20	10	205	480x410x931
-	LV18A28-4T	100	4	85	20	10	210	479x408x941
-	LV18A38-4T	150	4	120	20	10	220	565x550x1022
-	LV20A08-4T	80	4	70	20	10	205	480x410x931
-	LV20A13-4T	100	4	85	20	10	210	479x408x941
-	LV20A18-4T	150	4	120	20	10	220	565x550x1022
-	LV25A00T	80	2	65	20	10	230	480x410x931
-	LV25A15-4T	100	4	85	20	10	225	480x408x986
-	LV25A23-4T	150	4	120	20	10	230	565x550x1022
-	LV30A00T	80	2	65	20	10	250	480x410x931
-	LV30A05-4T	100	4	85	20	10	350	485x408x986
-	LV40A00T	80	2	65	20	10	340	480x410x976
-	LV40A05-4T	100	4	85	20	10	350	485x408x986
-	LV40A10-4T	150	4	130	20	10	360	565x550x1072
-	LV50A10-4T	150	4	120	20	10	550	760x720x1300

I-36063 Marostica (Vicenza) Italy
www.valco.eu

LV-VORTEX Range VALCO BRAND Sewage Wastewater Submersible Electric Pumps Liqua™

Pump and motor construction data
with limits of use and operating conditions

Coupling device 1

Types		Coupling device type
1 PH 230V 50Hz	3 PH 400V 50Hz	
LV400	-	TH IN LINE
LV80A	-	TH IN LINE
-	LV80AT	TH IN LINE
LV80S	-	TH IN LINE
LV808	-	FL IN LINE
-	LV808T	FL IN LINE
LV810	-	NOT PROVIDED
-	LV810T	NOT PROVIDED
LV815	-	NOT PROVIDED
-	LV815T	NOT PROVIDED
LV820	-	FL IN LINE
LV825	-	NOT PROVIDED
-	LV825T	NOT PROVIDED
LV830	-	NOT PROVIDED
LV1015	-	TH IN LINE
-	LV1015T	TH IN LINE
LV1020	-	NOT PROVIDED
-	LV1020T	NOT PROVIDED
LV1025	-	NOT PROVIDED
-	LV1025T	NOT PROVIDED
LV1026	-	FL IN LINE
-	LV1026T	FL IN LINE
LV1030	-	NOT PROVIDED
-	LV1030T	NOT PROVIDED
LV1045	-	FL IN LINE
LV1050-4	-	FL IN LINE
-	LV1050-4T	FL IN LINE
LV1070-4	-	FL BEND
-	LV1070-4T	FL BEND
LV120A	-	TH IN LINE
-	LV120AT	TH IN LINE
LV1200	-	FL IN LINE
-	LV1200T	FL IN LINE
LV1203	-	FL IN LINE
-	LV1203T	FL IN LINE
LV1505	-	FL IN LINE
-	LV1505T	FL IN LINE
LV1508	-	FL IN LINE
-	LV1508T	FL IN LINE
LV1521	-	FL IN LINE
-	LV1521T	FL IN LINE
LV1525	-	TH IN LINE
-	LV1525T	TH IN LINE
LV1531	-	FL IN LINE
-	LV1531T	FL IN LINE
LV1540	-	NOT PROVIDED
-	LV1540T	NOT PROVIDED
-	LV1541-4T	FL IN LINE
-	LV1551-4T	FL BEND
LV1555	-	FL BEND
-	LV1555T	FL BEND
LV1565-4	-	FL BEND
-	LV1565-4T	FL BEND
-	LV1566-4T	FL IN LINE
LV1570-4	-	FL IN LINE
-	LV1570-4T	FL IN LINE
LV2010	-	FL IN LINE
-	LV2010T	FL IN LINE
-	LV2015-4T	FL BEND
-	LV2020T	TH IN LINE
-	LV2025T	NOT PROVIDED
LV2040-4	-	FL IN LINE
-	LV2040-4T	FL IN LINE
-	LV2045-4T	FL BEND
LV2050	-	FL BEND
-	LV2050T	FL BEND
-	LV2051-4T	FL BEND
LV2055-4	-	FL BEND-FL IN LINE
-	LV2055-4T	FL BEND-FL IN LINE
-	LV2065-4T	FL BEND
LV2070-4	-	FL BEND-FL IN LINE
-	LV2070-4T	FL BEND-FL IN LINE
-	LV2075-4T	FL BEND
-	LV2085-4T	FL BEND
LV2090-4	-	FL BEND-FL IN LINE
-	LV2090-4T	FL BEND-FL IN LINE
-	LV2501T	FL IN LINE
-	LV2506T	FL IN LINE
-	LV2510-4T	FL BEND
-	LV2530-4T	FL BEND-FL IN LINE
-	LV2545-4T	FL BEND-FL IN LINE
-	LV2556-4T	FL IN LINE
-	LV2558-4T	FL BEND-FL IN LINE
-	LV2575-4T	FL BEND-FL IN LINE
-	LV2578-4T	FL BEND
-	LV3012T	FL IN LINE
-	LV3015-4T	FL BEND
-	LV3020T	FL BEND
-	LV3025-4T	FL BEND
-	LV3026T	FL BEND



FL IN LINE: Autocoupling device flanged in line
 FL BEND: Autocoupling device flanged with 90° bend
 TH IN LINE: Autocoupling device threaded in line
 TH BEND: Autocoupling device threaded with 90° bend

All the coupling device are made in cast iron

Supplied as standard: Coupling foot, slide coupling flange and screws, upper support

Optional on demand with overprice: counter flanges for coupling devices, chains, gaskets, anchors, screws.

I-36063 Marostica (Vicenza) Italy
www.valco.eu

**LV-VORTEX Range VALCO BRAND Sewage Wastewater Submersible
Electric Pumps Liqua™**

Pump and motor construction data
with limits of use and operating conditions

Coupling device 2

Types		Coupling device type
1 PH 230V 50Hz	3 PH 400V 50Hz	
-	LV3035-4T	FL BEND-FL IN LINE
-	LV3040T	FL BEND
-	LV3041-4T	FL BEND
-	LV3065-4T	FL BEND
-	LV3068-4T	FL BEND
-	LV3073-4T	FL BEND-FL IN LINE
-	LV3078-4T	FL BEND
-	LV3080-4T	FL BEND
-	LV3098-4T	FL BEND
-	LV30100-4T	FL BEND
-	LV3300T	FL IN LINE
-	LV3305T	FL BEND-FL IN LINE
-	LV3310T	FL BEND-FL IN LINE
-	LV4010T	FL BEND
-	LV4016T	FL IN LINE
-	LV4018T	FL BEND-FL IN LINE
-	LV4021T	FL BEND
-	LV4045-4T	FL BEND-FL IN LINE
-	LV4055-4T	FL BEND
-	LV4058-4T	FL BEND
-	LV4070-4T	FL BEND
-	LV4073-4T	FL BEND-FL IN LINE
-	LV4085-4T	FL BEND
-	LV40105-4T	FL BEND
-	LV40108-4T	FL BEND
-	LV40113-4T	FL BEND
-	LV5501T	FL IN LINE
-	LV5505T	FL BEND
-	LV5506T	FL BEND
-	LV5508T	FL BEND-FL IN LINE
-	LV5513T	FL BEND-FL IN LINE
-	LV5514T	FL BEND-FL IN LINE
-	LV5525-4T	FL BEND
-	LV5533-4T	FL BEND
-	LV5538-4T	FL BEND
-	LV5540-4T	FL BEND
-	LV5555-4T	FL BEND
-	LV5563-4T	FL BEND
-	LV7002-4T	FL BEND
-	LV7003-4T	FL BEND
-	LV7008-4T	FL BEND
-	LV750AT	FL BEND
-	LV7510T	FL BEND
-	LV7515-4T	FL BEND
-	LV7535-4T	FL BEND
-	LV7545-4T	FL BEND
-	LV7548-4T	FL BEND
-	LV8005-4T	FL BEND
-	LV8013-4T	FL BEND
-	LV9003T	FL BEND
-	LV9008T	FL BEND
-	LV9013T	FL BEND
-	LV9018T	FL BEND
-	LV9030-4T	FL BEND
-	LV10A0AT	FL BEND
-	LV10A05T	FL BEND
-	LV10A18-4T	FL BEND
-	LV10A30-4T	FL BEND
-	LV10A33-4T	FL BEND
-	LV10A35-4T	FL BEND
-	LV12B08-4T	FL BEND
-	LV12B09-4T	FL BEND
-	LV12B18-4T	FL BEND
-	LV12B20-4T	FL BEND
-	LV13A00T	FL BEND
-	LV13A05T	FL BEND
-	LV13A10T	FL BEND
-	LV15A03-4T	FL BEND
-	LV15A04-4T	FL BEND
-	LV15A08-4T	FL BEND
-	LV15A23-4T	FL BEND
-	LV18A00T	FL BEND
-	LV18A05T	FL BEND
-	LV18A15T	FL BEND
-	LV18A23-4T	FL BEND
-	LV18A28-4T	FL BEND
-	LV18A38-4T	FL BEND
-	LV20A08-4T	FL BEND
-	LV20A13-4T	FL BEND
-	LV20A18-4T	FL BEND
-	LV25A00T	FL BEND
-	LV25A15-4T	FL BEND
-	LV25A23-4T	FL BEND
-	LV30A00T	FL BEND
-	LV30A05-4T	FL BEND
-	LV40A00T	FL BEND
-	LV40A05-4T	FL BEND
-	LV40A10-4T	FL BEND
-	LV50A10-4T	FL BEND



FL IN LINE: Autocoupling device flanged in line
 FL BEND: Autocoupling device flanged with 90° bend
 TH IN LINE: Autocoupling device threaded in line
 TH BEND: Autocoupling device threaded with 90° bend

All the coupling device are made in cast iron

Supplied as standard: Coupling foot, slide coupling flange and screws, upper support

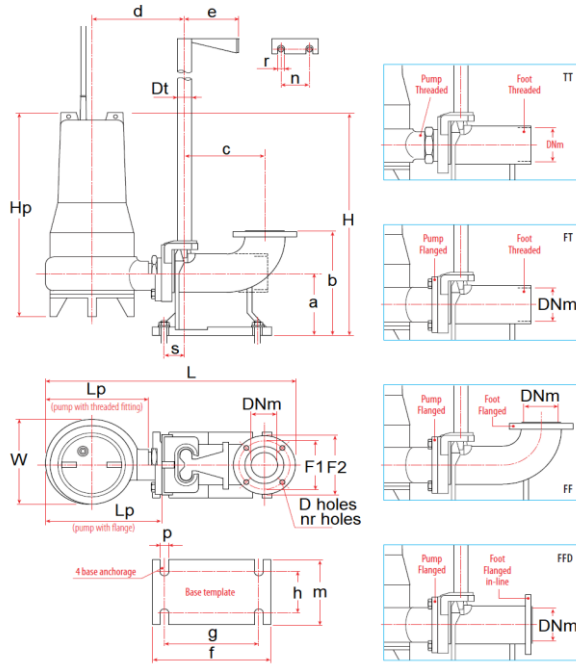
Optional on demand with overprice: counter flanges for coupling devices, chains, gaskets, anchors, screws.

I-36063 Marostica (Vicenza) Italy
www.valco.eu

**LV-VORTEX Range VALCO BRAND Sewage Wastewater Submersible
Electric Pumps Liqua™**

Pump and motor construction data
with limits of use and operating conditions

Not in scale



Legenda

- AC = TYPES OF AUTOCLIPING DEVICES
 TT= Pump threaded - Foot threaded
 FF= Pump flanged - Foot flanged
 FT= Pump flanged - Foot threaded
 FFL= Pump flanged - Foot flanged wider guides
 WF= Without foot
 WFV= Without foot - Top delivery
 nd=not available
 na=non applicable



FL BEND: Autocoupling device flanged with 90° bend



TH IN LINE: Autocoupling device threaded in line